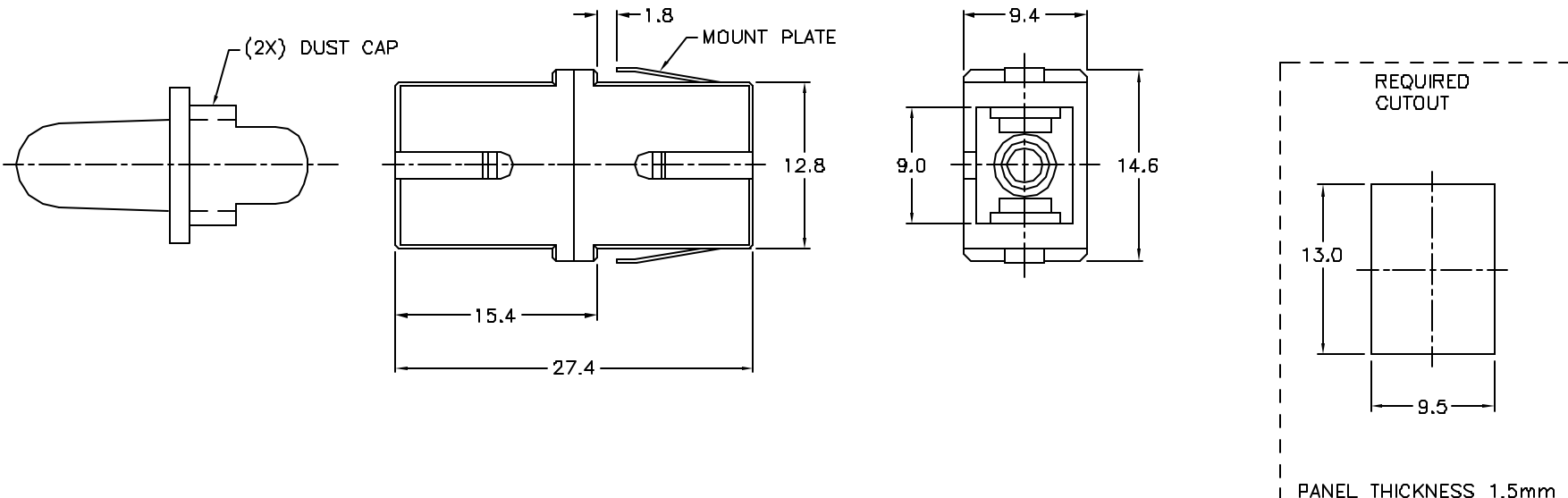


Tous droits strictement réservés. Reproduction ou communication à des fins interdites sans quelque forme que ce soit sans autorisation écrite du propriétaire. Propriété de FCI. Droits de reproduction FCI.

All rights strictly reserved. Reproduction or issue to third parties in any form whatsoever is not permitted without written authority from the proprietor. Property of FCI. Copyright FCI.

PRODUCT NUMBER	SPLIT SLEEVE MATERIAL	SHELL COLOR	FLANGE	NOTES
74885-001	PB	BLUE	W/FLANGE	OBSOLETE USE 991D3-P0001
74885-002	ZIRCONIA	BLUE	W/FLANGE	OBSOLETE USE 991D3-Z0001
74885-003	PB	GREEN (APC)	W/FLANGE	OBSOLETE USE 991D3-PA001
74885-004	ZIRCONIA	GREEN (APC)	W/FLANGE	OBSOLETE USE 991D3-ZA001
74885-005	ZIRCONIA	METALLIC	W/FLANGE	OBSOLETE USE 991D3-ZM001
74885-006	PB	METALLIC	W/FLANGE	OBSOLETE USE 991D3-PM001
74885-007	PB	BLUE	W/O FLANGE	-
74885-008	ZIRCONIA	BLUE	W/O FLANGE	-
74885-009	PB	GREEN (APC)	W/O FLANGE	-
74885-010	ZIRCONIA	GREEN (APC)	W/O FLANGE	-



NOTES:

1. JIS-C-5973-1990 COMPATIBLE.
2. SNAP-IN OR FASTENER MOUNTING.
3. SHELL W/FLANGES.

mat'l. code A/R UL94 V-0 RATED				tolerances unless otherwise specified				CUSTOMER COPY		FCI Electronics www.fciconnect.com	
ltr	ecn no	dr	date	NOMINALS ONLY		projection		title		ADAPTER ,SC/SC	
A	V90759	NPP	21JAN99	UNLESS NOTED		⊕		product family		FIBER OPTICS	
B	V00928	RSN	11APROO	angles		mm		size		dwg no	
C	V01215	RSN	5/22/00			←		scale		74885	
D	V01901	JJK	7/25/00	dr	N. PETRILLO	21JAN99	N/A		A4		code
E	V02683	JJK	11/21/00	enr	N. PETRILLO	21JAN99					sheet
F	V20625	JJK	4/9/02	chr	NPP	13APR99					1 of 1
				appd	N. PETRILLO	13APR99					
sheet index	revision sheet										

cage code
22526

ACAD

PDM: Rev:F

STATUS: Released

Printed: Apr 20, 2007